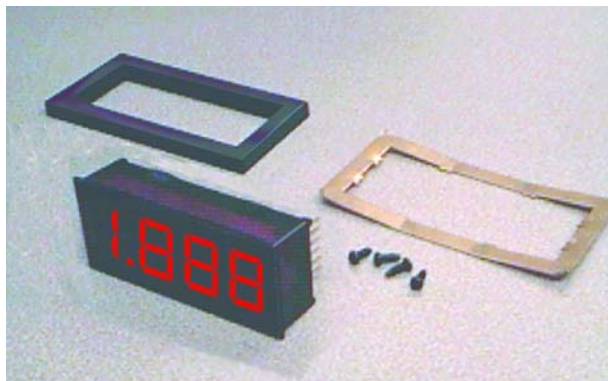


DK630/640 SERIES

DIP LED Digital Panel Meters - 3 1/2 Digit



DESCRIPTION

The DIP LED series provides 3 1/2 digit red, blue, or green LED indication from a voltage input.

FEATURES

- Available in red, blue or green
- Input ranges: $\pm 200\text{mV}$
 $\pm 2\text{V}$
 $\pm 20\text{V}$
- User selectable decimal
- Polycarbonate case
- Optional Bezel Mount

SPECIFICATIONS

Supply voltage:	+5 Vdc @ 40mA
Input Ranges:	$\pm 200\text{mV}$, $\pm 2\text{V}$, $\pm 20\text{V}$
Numeral Size:	.56" (14.27 mm)
Operating Temperature:	32° to 122°F (0-50°C)
Max Humidity:	95% (non-condensing)
Input Impedance:	100megohm
Polarity Indication:	Automatic (-) for negative input
Over/ Under range indication:	1.../-1...
Accuracy:	$\pm .1\%\text{F.S.} \pm 2$ counts
Common Mode Range:	± 1 Vdc
Sampling Rate:	3 / second
Connections:	12 pin

ORDERING INFORMATION

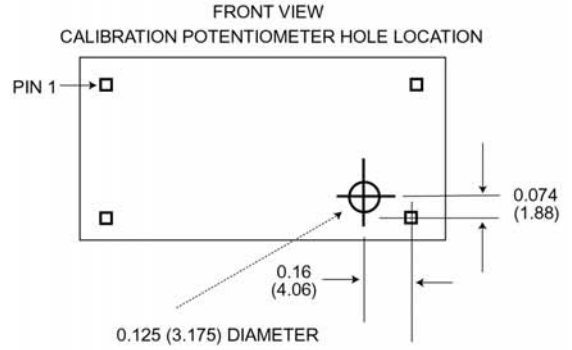
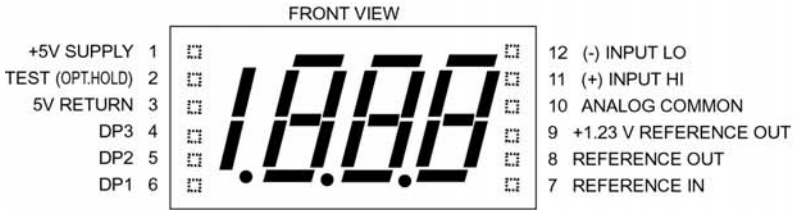
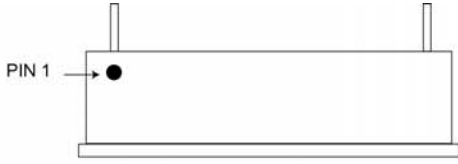
DK630200mVinHigh Intensity RED
DK6312VinHigh Intensity RED
DK63220VinHigh Intensity RED
DK633200mVinGREEN
DK6342VinGREEN
DK63520VinGREEN
DK636200mVinBLUE
DK6372VinBLUE
DK63820VinBLUE
DK640200mVinHigh Intensity REDw/ hold function
DK6412VinHigh Intensity REDw/ hold function
DK64220VinHigh Intensity REDw/ hold function

DLA-BEZBezel Assembly

PW2-5Regulated 120V AC to 5V DC Adaptor.....



Dimensions and Cut-out



Mechanical Specifications

Mechanical Dimensions: Inches (mm)
Pin Dimensions: 0.025 (0.635) x 0.025 (0.635)

To enable DP's (Pin 4-6) connect to Pin 3 (5V return)

Connect Pins 7 & 8

Pins 2, 9, 10 consult factory for application

For hold option, connect Pin 2 to Pin 1 (+5V supply)

